

PURBlue™ EC Melter

Efficiently handle reactive adhesive materials with easy clean-up and maintenance



The Nordson PURBlue EC melter is specifically designed to best meet the unique requirements to process reactive adhesives, including hot melt polyurethanes (PUR). PURBlue™ EC melters protect adhesive characteristics to help improve bonding consistency and product quality.

The unique easy-to-clean concept* means all components in contact with PUR, such as tank, grid, reservoir and even the pump-blocks, can be quickly, and to a large extent without tools, dismantled for cleaning. Additionally PURBlue EC melters have pump shutoff valves and quick-disconnect heater and sensor cables. Various pump sizes in one (1) or two (2) pump configurations better meet today's production needs.

By combining ease of operation and maintenance with consistent reactive adhesive processing, PURBlue EC melters help increase productivity and reduce waste.

Features and Benefits

- Easy-to-clean design, quick-disconnect cables and purge function simplify and reduce cost of maintenance.
- User-friendly controls, week day timer and I/O interface make operation easy.
- Inert gas blanket protects adhesive from moisture to prevent premature curing.
- Level control (configurable option) continuously displays the adhesive level inside the tank to assure continuous adhesive supply.
- Two-gear pump capability in different gear pump sizes offers more flexibility in production.
- Gear pumps with variable speed and key-to-line operation per pump offer more flexibility to customers.
- Accommodates 18 kg (39.68 lb) adhesive slug at 286 mm (11.26 in) diameter.

*patent pending

PURBlue™ EC Melter

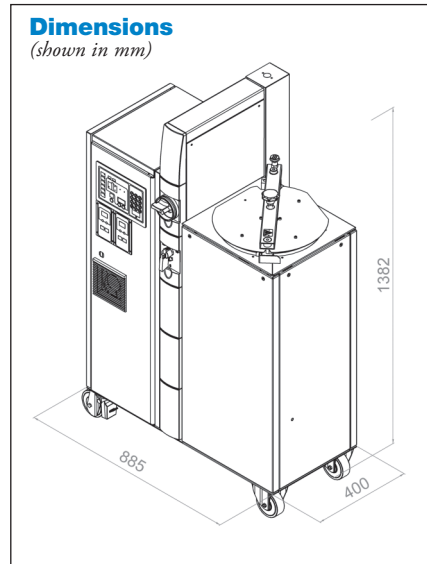
Technical Specifications

Voltage	230 V 3-phase Delta – 50/60 Hz 400 V 3-phase WYE – 50/60 Hz
Melt Rate¹	20 kg/hr (44.09 lbs/hr)
Tank Opening	290 mm (11.42 in diameter)
Reservoir Capacity	2.2 kg (4.85 lbs)
Temperature Sensor	Ni120
Pump Type	Positive displacement gear
Ambient Temperature	10 to 40° C (50 to 104° F)
Operating Temperature	40 to 230° C (104 to 446° F)
Max. System Power Capacity	13.6 KW/ 24A
Weight	approx. 180 kg (396.83 lbs)
Degree of Protection	IP54

*Performance depending on viscosity, operating pressure and adhesive rheology
¹exact values depending on specific adhesive type*

Options/Configurations

Pump Sizes	pump #1	pump #2
	SN0030	SN0030
	SN0062	SN0062
	SN0093	SN0093
	SN0186	SN0186
	SN0371	SN0371
	SN0773	SN0773
Hose/Gun Pairs	2 or 4 hose/gun pairs (4 or 8 external channels)	
Thermostats	150°C (300 °F), 180°C (350 °F), or 230°C (450 °F)	
Flow Control	Manual Pneum. Pressure Control Flow Control Bypass Standard Manual Pressure Control Valve	
Level Monitoring	yes	
Light Tower	yes	
Key-to-Line Per Pump	yes	



Tiltable tank for easy cleaning and easy access to removable grid plate



Quick-disconnect grid plate for easy cleaning and access to reservoir



For more information, speak with your Nordson representative or contact your Nordson regional office.

United States

Duluth, Georgia
(800) 683-2314 **Phone**
(866) 667-3329 **Fax**

Canada

Markham, Ontario
(800) 463-3200 **Phone**
(905) 475-8821 **Fax**

Europe

Erkrath, Germany
(49) 211-9205-0 **Phone**
(49) 211-254658 **Fax**

Japan

Tokyo, Japan
(81) 3-5762-2700 **Phone**
(81) 3-5762-2701 **Fax**

Asia/Australia/ Latin America

Amherst, Ohio
(440) 985-4797 **Phone**
(440) 985-1096 **Fax**

Find us on:



PAL-12-5731
Issued 3/12
© 2012 Nordson Corporation
All Rights Reserved.
Printed in U.S.A.
Nordson reserves the right to
make design changes between
printings.