

Series H-20 Automatic Guns



Automatic hot melt guns deliver high flow rates for multi-orifice applications and high viscosity materials.

Nordson® Series H-20 Automatic Guns provide uniform bead deposition and offer increased flow capability for multi-orifice nozzles, high-viscosity hot melts and filled thermoplastic materials. The air-open/spring-close design provides speeds that exceed 3500 cycles per minute and ensures consistent performance and reliability. Series H-20-T Guns include resistance temperature detectors (RTDs) for precise temperature sensing and control of gun temperatures to within $\pm 1^\circ\text{F}$ (0.5°C) of setpoint.

Design Flexibility

The versatile Series H-20 is compatible with large diameter single or multi-orifice nozzles to meet a wide range of pattern variations. Several different gun configurations are available to satisfy specific application requirements.

The standard H-20A version is used with non-circulating systems, as is the H-20 LBS design (large ball-and-seat) which features larger pathways. The micro-adjust H-20 provides direct flow control adjustment for applications requiring precise bead size. The H-20 Series is also available for circulating systems, as well as versions featuring water-resistant design, integral-filtered bodies to remove contaminants, nozzle extension assemblies and variable-temperature controls.



Features and Benefits

- Wide range of gun configurations satisfies numerous case sealing and product assembly application requirements.
- Pattern versatility provided with choice of controlled-engagement single-orifice nozzles, precision multi-orifice nozzles and extended nozzle assemblies.
- RTD sensor ensures precise temperature control to within $\pm 1^\circ\text{F}$ (0.5°C) of setpoint.
- High-flow capability provided in both standard and large ball-and-seat designs.
- Optional filtered body version provides clog-free operation.
- Optional engagement domed nozzles and high pressure capability (1500 psi/10.34 MPa) provide superior cut-off in case sealing and low-speed cartoning applications.

Nordson® Series H-20 Automatic Guns



Nordson offers the essential accessories that help ensure a smooth installation and optimize performance of your hot melt system.



Multi-orifice domed nozzle provides high flow rate and clean cut-off. High-pressure capability improves cut-off and pattern placement in gear-to-line/pressure runup applications.



Broad nozzle selection including multiple engagement domed nozzles, right-angle adapters and 232xxx series button nozzles accommodate varied application requirements.

Specifications

Operating Temperature:
450°F (230°C) maximum

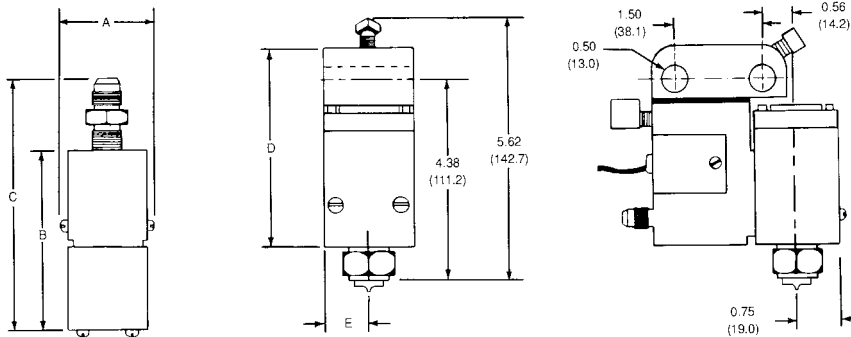
Operating Air Pressure:¹
40 to 70 psi (0.28 to 0.48 MPa)

Working Hydraulic Pressure:
1500 psi (10.34 MPa) maximum

Operating Speed:
Exceeds 3500 cycles/minute

Nozzles:²
Single and multi-orifice with fixed and optional engagements

Electrical Requirements:
240 VAC, 50/60 Hz
200 VAC, 50/60 Hz



Dimensions, in. (mm)

Model	A	B	C	D	E
H-20A, H-20T, H-20D, H-20F, H-20LBS (5/16) H-20 (micro)	1.75 (44.5)	3.44 (87.4)	4.63 (117.6)	4.06 (103.1)	0.75 (19.1)
H-20B, H-20C	2.31 (58.7)	3.44 (87.4)	4.13 (104.9)	4.13 (104.9)	1.13 (28.7)
H-20E	2.25 (57.2)	3.50 (88.9)	4.13 (104.9)	4.19 (106.4)	1.13 (28.7)
H-20LBS (5/8)	1.75 (44.5)	3.44 (87.4)	5.09 (129.3)	4.06 (103.1)	0.75 (19.1)
H-20W	1.63 (41.4)	4.38 (111.3)	4.50 (114.3)	4.06 (103.1)	0.75 (19.1)

Note: These dimensions are for reference only and are subject to change without notice due to technological or quality improvements.

1. Recommended range. Dry, regulated, unlubricated air required for consistent gun operation. Module performance and durability will be negatively affected if operated outside the recommended range. Volumetric air requirements will vary with gun configuration and application.
2. Nozzles must be specified and purchased separately.
3. Nordson recommends 24 VDC solenoid valves with high-temperature modifications for pattern accuracy and extended service life. Minimum recommended capacity 0.5 Cv.



This service not available in all countries.



Nordson Corporation
11475 Lakefield Drive
Duluth, Georgia 30097
Toll Free (800) 683-2314