

VersaPUR™ Slug Melter

Highly-versatile adhesive melters process moisture curing polyurethane (PUR) hot melts from foil-encased slugs.



Based on years of worldwide experience, Nordson designed the VersaPUR slug melters to process PUR hot melts from environmentally-friendly, 20-liter foil-encased slugs. A pneumatic piston lowers a stamp with adjustable force onto the foil bag for optimal contact between adhesive and melting grid. The force presses the adhesive out of the bag leaving virtually no residue. The empty bag can be disposed of easily.

VersaPUR melters offer melt-on-demand (MOD) functionality to reduce thermal stress and protect bonding characteristics of unused PUR. To process the PUR hot melt, the open bag is pressed directly onto the melt grid. The level of molten adhesive in the melter reservoir triggers the pneumatic piston as well as grid heating to switch ON and OFF.

Many new standard, programmable features simplify daily operation and maintenance to meet increased productivity requirements. VersaPUR slug melters are configurable, offering flexibility for specific production and application requirements.

Features and Benefits

- Graphical touch-screen control provides visibility and monitoring of system status.
- Smooth, non-stick release coated surfaces and tiltable tank provide easy access and ease of clean-up and maintenance.
- Stamp design minimizes the amount of adhesive remaining in the foil bag.
- Industrial PC (IPC) provides intuitive melter control of all relevant functions – pump speed, temperatures, etc. – for reproducible adhesive bonding quality.
- Two (2) measuring sensors installed in the reservoir provide both “slug low” and “slug empty” warnings to operator to minimize machine downtime.
- Swiveling tank lid allows easy change of foil bags.
- Refill hopper without machine stop as reservoir holds sufficient molten adhesive for replacing adhesive slugs.
- Exhaust hood allows for emission-free change of foil bag.
- Dead spaces in hydraulic passages eliminated to avoid undesired curing.

VersaPUR™ Slug Melter

Technical Specifications

Type of System	Positive-displacement spur gear pump
Electrical Service ¹	200 VAC 3-phase 50/60 Hz 230 VAC 3-phase 50/60 Hz 400 VAC 3-phase Y 50/60 Hz 400 VAC 3-phase 50/60 Hz 480 VAC 3-phase 50/60 Hz
Slug Diameter	280 mm (11 in.) 286 mm (11.26 in.)
Temperature Sensor	Ni120
Ambient Temperature	10 to 40° C (50 to 104° F)
Operating Temperature	40 to 230° C (104 to 446° F)
Approx. Weight ²	280 kg (617 lbs)
Input/Output Capability Std.	6 inputs, 6 outputs
Degree of Protection	IP54

¹ Permitted deviation from rated line voltage is $\pm 10\%$.

² Weight depends on melter configuration.

Options/Configurations

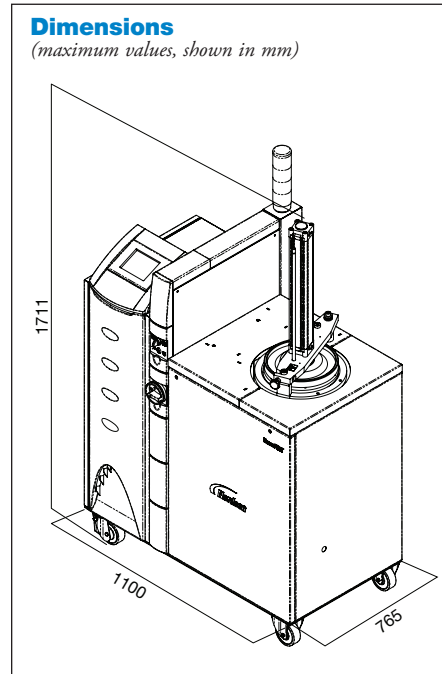
Pump Sizes	SN0030, SN0046, SN0062, SN0093, SN0186, SN0371, SN0773, SN1710
Hose/Gun Pairs	2, 4 or 6 hose/gun pair (4, 8 or 12 external channels)
Thermostats	150° C (300° F), 180° C (350° F), or 200° C (390° F)
Flow Control	Automatic Pressure Control Manual Pneum. Pressure Control Flow Control Bypass IPI w/Output Pressure Control per Drive Standard Manual Pressure Control Valve
Light Tower	yes
Host Communication	Profibus-DP, ControlNet, Ethernet/IP, ProfiNet IO
Key-to-Line Per Pump	yes



Tilttable tank for easy cleaning and maintenance



Swiveling tank lid



Dimensions
(maximum values, shown in mm)

For more information, speak with your Nordson representative or contact your Nordson regional office.

United States

Duluth, Georgia
(800) 683-2314 Phone
(866) 667-3329 Fax

Canada

Markham, Ontario
(800) 463-3200 Phone
(905) 475-8821 Fax

Europe

Erkrath, Germany
(49) 211-9205-0 Phone
(49) 211-254658 Fax

Japan

Tokyo, Japan
(81) 3-5762-2700 Phone
(81) 3-5762-2701 Fax

Asia/Australia/ Latin America

Amherst, Ohio
(440) 985-4797 Phone
(440) 985-1096 Fax

Find us on:



PAL-13-5815
Issued 5/13
© 2012, 2013 Nordson Corporation
All Rights Reserved.
Printed in U.S.A.
Nordson reserves the right to make design changes between printings.